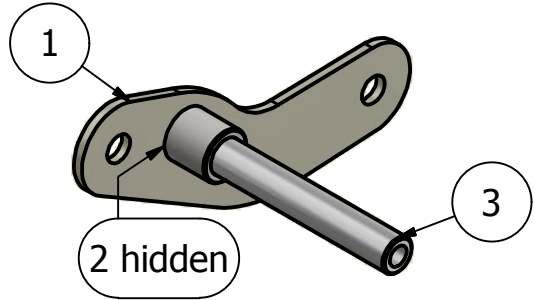


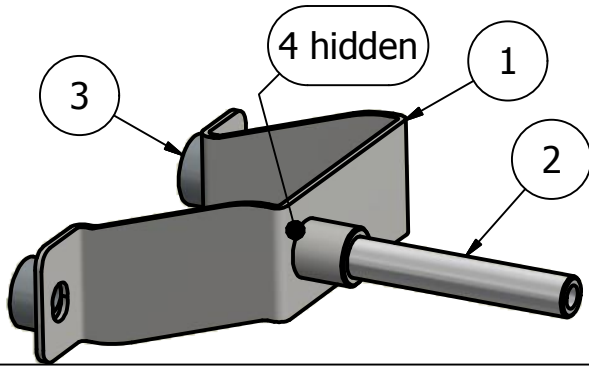
Jost Modul

1026J PARTS LIST			
ITEM	QTY	PART NUMBER	DESCRIPTION
1	1	DN0026J	Modul Bracket Ass'y
2	1	PN0026SJ	Torque Spigot(165mm)
3	2	PN0026JW	Modul Spacer
4	1	PN0088K	22mm circlip



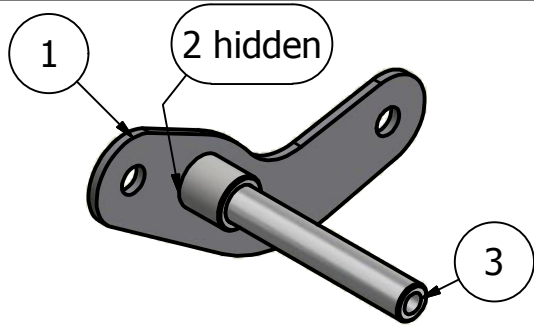
Jost Modul Reverse

1026JR PARTS LIST			
ITEM	QTY	PART NUMBER	DESCRIPTION
1	1	DN0026R	Modul Reverse Ass'y
2	1	PN0088K	22mm circlip
3	1	PN0026SJ	Torque Spigot(165mm)



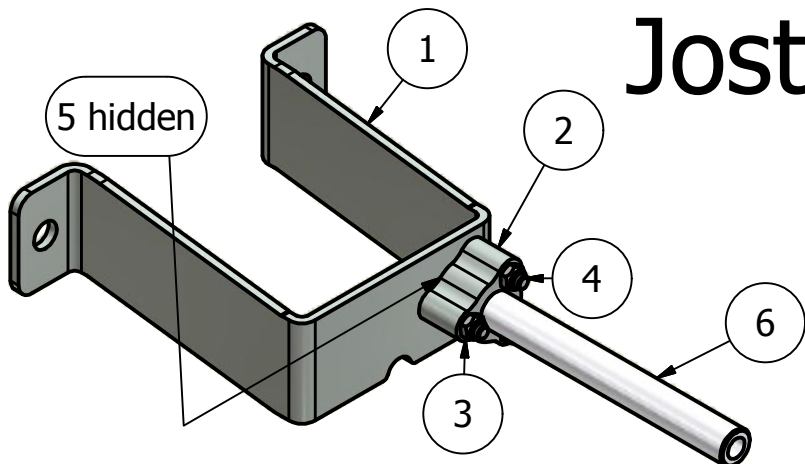
Jost A400/C200

1026A PARTS LIST			
ITEM	QTY	PART NUMBER	DESCRIPTION
1	1	DN0026A	A400/C200 Bracket Ass'y
2	1	PN0026SJ	Torque Spigot(165mm)
3	2	PN0026JW	Modul Spacer
4	1	PN0088K	22mm circlip



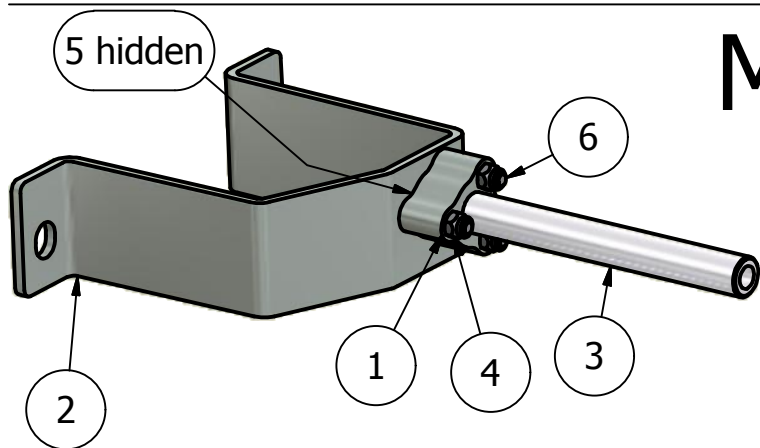
Jost A401

1026W PARTS LIST			
ITEM	QTY	PART NUMBER	DESCRIPTION
1	1	DN0026W	A401 Bracket Assembly
2	1	PN0088K	22mm circlip
3	1	PN0026SJ	Torque Spigot(165mm)



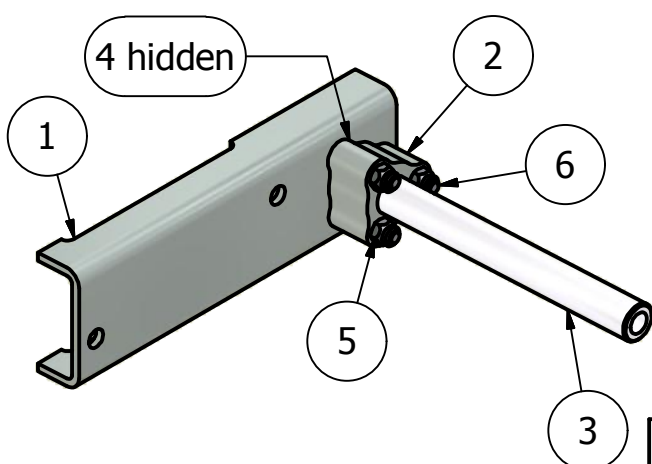
Jost D200

1026D PARTS LIST			
ITEM	QTY	PART NUMBER	DESCRIPTION
1	1	PN0026D	D200 Bracket
2	1	PN0026T	Tri Bose
3	3	M8 Nylon Nut	
4	3	M8 x 45 Hex Bolt	
5	1	PN0088K	22mm circlip
6	1	PN0026SH	Torque Spigot(208mm)



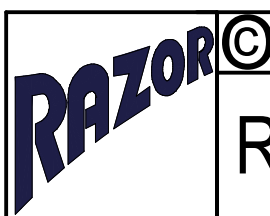
Maxus

1026M PARTS LIST			
ITEM	QTY	PART NUMBER	DESCRIPTION
1	1	PN0026T	Tri Bose
2	1	PN0026M	Maxus Bracket
3	1	PN0026SH	Torque Spigot(208mm)
4	3	M8 Nylon Nut	
5	1	PN0088K	22mm Circlip
6	3	M8 x 45 Hex Bolt	



KHitch 27

1026K27 PARTS LIST			
ITEM	QTY	PART NUMBER	DESCRIPTION
1	1	PN0026C	CMS3 Bracket
2	1	PN0026T	Tri Bose
3	1	PN0026SH	Torque Spigot(208mm)
4	1	PN0088K	22mm circlip
5	3	M8 Nylon Nut	
6	3	M8 x 45 Hex Bolt	

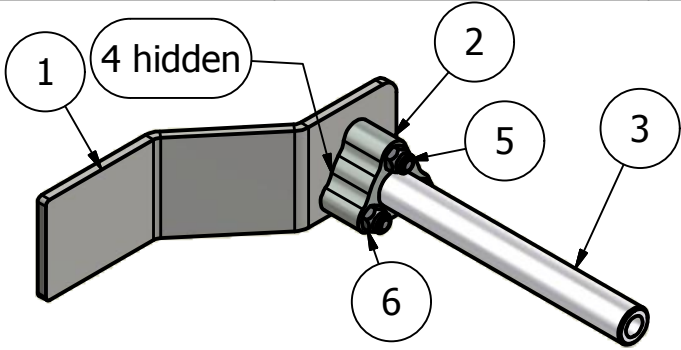


Designed by darryl | Checked by | Approved by - date | Material | Date 31/03/2014 | Sheet 1 / 2

Razor International Pty Ltd

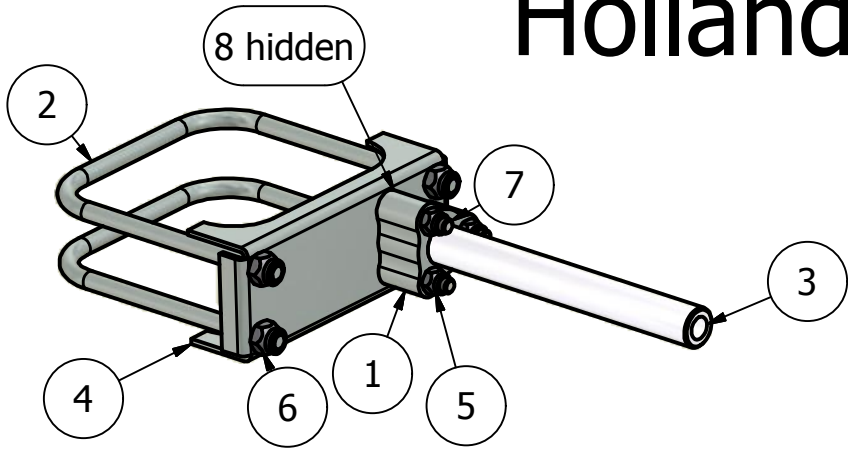
Torque Arm Parts
Drawing Number PN0026TAP | Edition

TMC



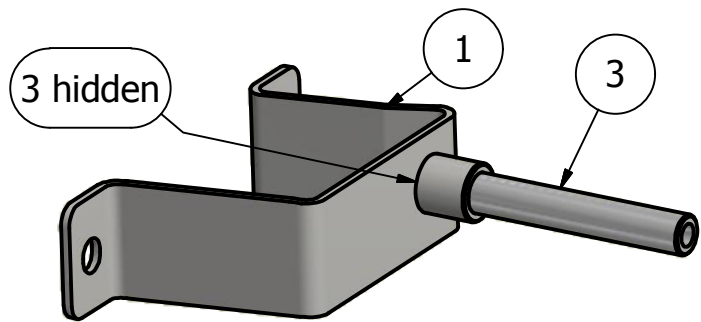
1026T PARTS LIST			
ITEM	QTY	PART NUMBER	DESCRIPTION
1	1	PN0026TMC	TMC Top Hat
2	1	PN0026T	Tri Bose
3	1	PN0026SH	Torque Spigot(208mm)
4	1	PN0088K	22cm Circlip
5	3	M8 x 45	
6	3	M8 Nylon Nut	

Holland MarkV



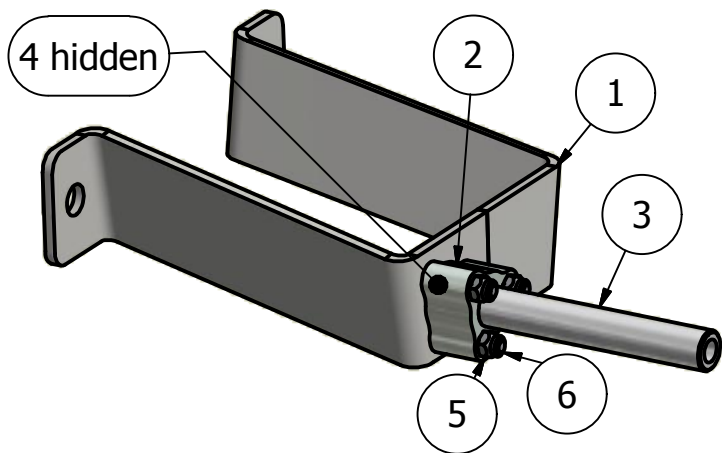
1026H PARTS LIST			
ITEM	QTY	PART NUMBER	DESCRIPTION
1	1	PN0026T	Tri Bose
2	2	PN0026HU	Holland U Bolt
3	1	PN0026SH	Torque Spigot(208mm)
4	1	PN0026H	Holland Bracket
5	3	M8 Nylon Nut	
6	4	M10 Nylon Nut	
7	3	M8 x 45 Hex Bolt	
8	1	PN0088K	22mm Circlip

Fuwa 37



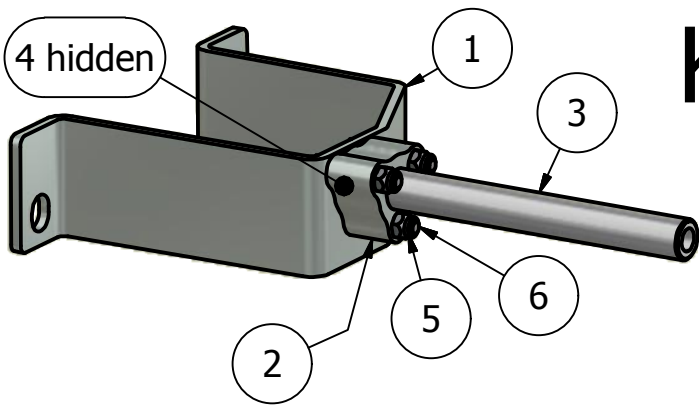
1026F PARTS LIST			
ITEM	QTY	PART NUMBER	DESCRIPTION
1	1	DN0026J	Modul Bracket Ass'y
2	1	PN0088K	22mm circlip
3	1	PN0026SJ	Torque Spigot(165mm)

KHitch 22



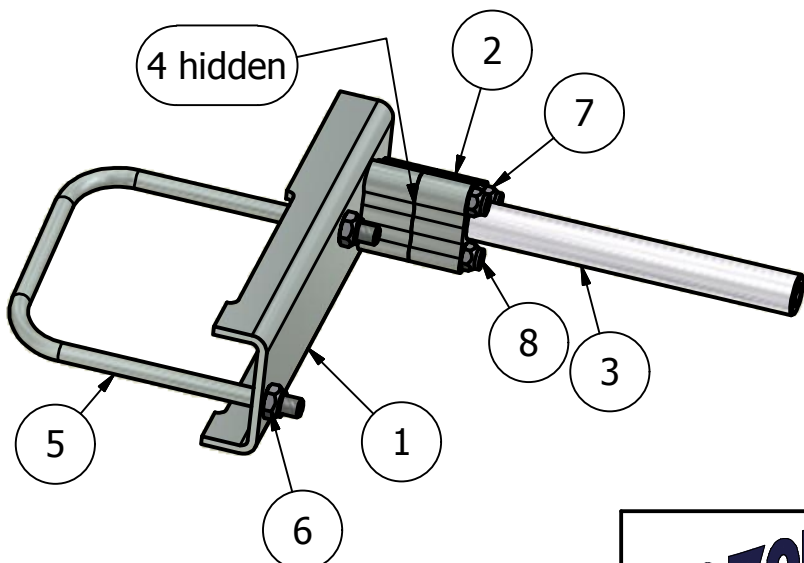
1026K22 PARTS LIST			
ITEM	QTY	PART NUMBER	DESCRIPTION
1	1	PN0026K22	KHitch22 Top Hat
2	1	PN0026T	Tri Bose
3	1	PN0026SJ	Torque Spigot(165mm)
4	1	PN0088K	22mm circlip
5	3	M8 Nylock Nut	
6	3	M8 x 45 Hex Bolt	

KHitch 25



1026K25 PARTS LIST			
ITEM	QTY	PART NUMBER	DESCRIPTION
1	1	PN0026K25	KHitch25 Top Hat
2	1	PN0026T	Tri Bose
3	1	PN0026SH	Torque Spigot(208mm)
4	1	PN0088K	22mm circlip
5	3	M8 Nylock Nut	
6	3	M8 x 45 Hex Bolt	

CSM3



1026V PARTS LIST			
ITEM	QTY	PART NUMBER	DESCRIPTION
1	1	PN0026C	CMS3 Bracket
2	2	PN0026T	Tri Bose
3	1	PN0026SH	Torque Spigot(208mm)
4	1	PN0088K	22mm circlip
5	1	PN0026HU	Holland U Bolt
6	2	M10 Nylon Nut	
7	3	M8 Nylon Nut	
8	3	M8 x 70 Hex Bolt	