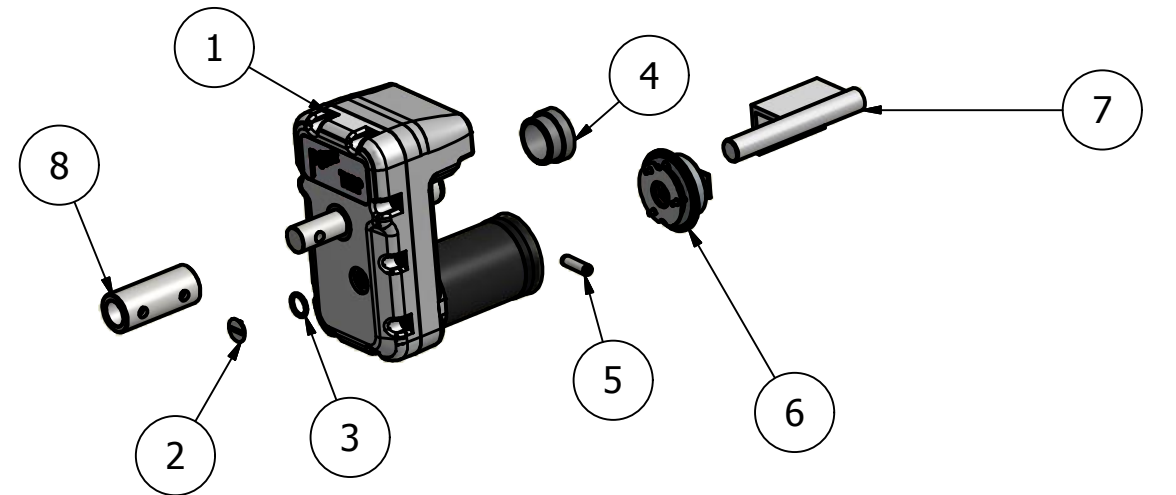


Refer to drawing "BKRA14" for more information  
 Note: Refer to FTB wiring schematic for more information



PARTS LIST			
ITEM	QTY	PART NUMBER	DESCRIPTION
1	1	PN25C	PVC drive(Harness not shown)
2	1	PN0023B	Front cap
3	1	PN0023S	Cap seal(BS116)
4	1	PN0055C	Collar
5	1	PN0064A	Drive pin
6	1	1015B	Brake assembly
7	1	51-344	Torque Support
8	1	51-0132	TT Coupling

Note: Alternatively,PVC drive can be mounted on the split shaft.

PARTS LIST			
ITEM	QTY	PART NUMBER	DESCRIPTION
1	1	PN25H	HRPT Drive(Harness not shown)
2	1	PN0055C	Collar
3	1	PN0064A	Drive pin
4	1	PN0023B	Front Cap
5	1	PN0023S	Cap seal(BS116)
6	1	1015B	Brake Assembly
7	1	51-344	Torque Support
8	1	ECAP14	AP controller(Harness not shown)
9	1	BKRA14	Battery kit(Harness not shown)
10	1	RCVAP	Vertical remote
11	1	RCAPRH	AP remote grip

<b>RAZOR</b> ©	Designed by Ivan	Checked by	Approved by - date	Material	Date 22/01/2015	Sheet 1 / 1
	<b>Razor International Pty Ltd</b>			<b>Front to Back Kit Assembly</b>		
				Drawing Number		Edition