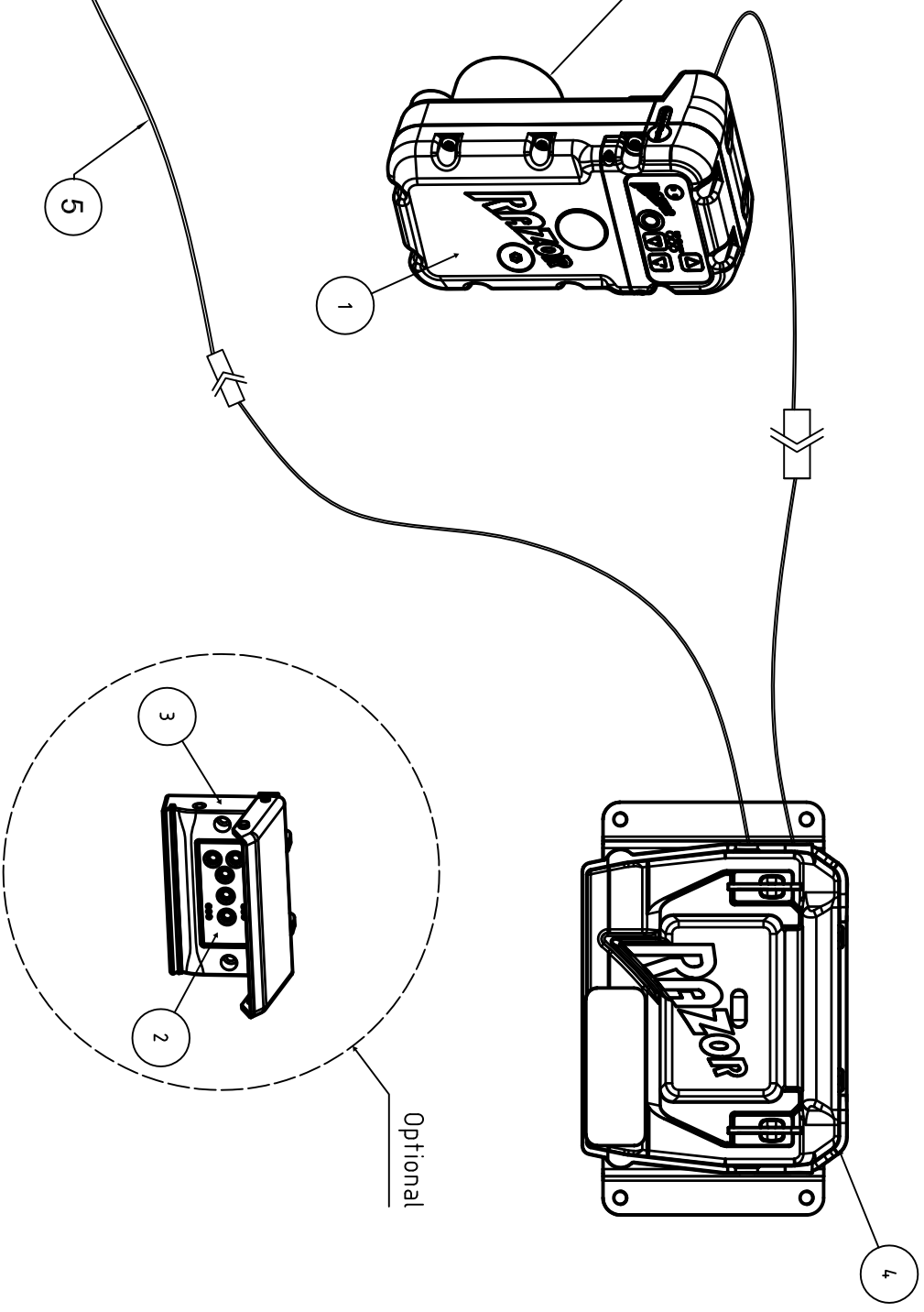


# DELTA POWER LEG SYSTEM

Leg Drive Versions	Part No.
Extra Torque Drive	LE
Standard Drive	LD
Hi-Speed Drive	LH
Ultra Hi-speed Drive	LU



Blue +  
Brown +  
White -

## Connect to Trailer

## Power Supply

(Refer Note)

Note: Power is required (9 to 30VDC) to maintain Razor battery.

Connect matching wire colours between Razor and Trailer Harness.

i.e. Blue to Blue(auxiliary), Brown to Brown(clearance) and White to White(negative)

### Parts List

Item	Description	Part No.
1	Delta Leg Drive	Refer table
2	Horizontal Remote	RCHAP14
3	Bezel Housing Kit	E-M-1000
4	Power Kit	P-1000
5	Charge Harness	PN0005E